

INSTALLER/CONSUMER RETAIN THIS APPLIANCE  
MANUAL WITH THE INSTALLED APPLIANCE



# INSTALLATION AND OPERATING INSTRUCTIONS

*Golden Blount* VENT FREE GAS LOGS



Burner Systems:

OMEGA18NM  
OMEGA18LM  
OMEGA24/30NM  
OMEGA24/30LM



DESIGN CERTIFIED  
to standards:

Unvented Room Heater  
ANSI Z21.11.2-2016  
and  
Vented Decorative Appliance  
ANSI Z21.60-2017

Log Sets  
CBF18VF  
CBF24VF  
CBF30VF

INSTALLER: Leave this manual with the appliance.  
CONSUMER: Retain this manual for future reference.

Installation and service must be performed by a qualified professional installer, service agency, or the gas supplier.

**⚠ WARNING:** If the information in this manual is not followed exactly, a fire or explosion may result, causing property damage, personal injury, or loss of life.

Do not store or use gasoline or other flammable vapors and liquids in the vicinity of this or any other appliance.

#### WHAT TO DO IF YOU SMELL GAS:

- Open a window
- Do not try to light any appliance.
- Do not touch any electrical switch; do not use any phone in your building.
- Immediately call your gas supplier from a neighbor's phone. Follow the gas supplier's instructions.
- If you cannot reach your gas supplier, call the fire department.

It is imperative that you maintain your unvented gas appliance by having it cleaned and served regularly.

#### IMPORTANT

Read these instructions carefully and completely before starting installation of burner system.

This appliance may be installed in an aftermarket, permanently located, manufactured (mobile) home where not prohibited by local codes. This appliance is only for use with the type of gas indicated on the rating plate. This appliance is not convertible for use with other gasses.

This is an **UNVENTED** gas-fired heater. It uses air (oxygen) from the room which it is installed. Provisions for adequate combustion and ventilation air **MUST** be provided. See section entitled **COMBUSTION AND VENTILATION AIR**.

This appliance is designed as an **attended appliance**. Adults must be present when the unit is operating. Do not leave this unit burning when unattended or while anyone is sleeping.

Installation, service, and the provisions for combustion and ventilation air **MUST** conform with local codes and the *National Fuel Gas Code*, ANSI Z223.1/NFPA54, or the CSA B149.1, *Natural Gas and Propane Installation Code*.

# TABLE OF CONTENTS

<u>SECTION</u> . . . . .	<u>PAGE</u>
Important Safety Information . . . . .	3-4
Accessories . . . . .	4
Product Specifications . . . . .	4
General Information . . . . .	5
Combustion and Ventilation Air . . . . .	6
Clearances . . . . .	6-7
Combustible Material . . . . .	8
Fireplace Preparation . . . . .	8
Installing as a Vented Appliance . . . . .	8
Pre-Installation and Fireplace Preparation Safety . . . . .	9
Installation Safety Information . . . . .	10
Placement of Glowing Embers and Lava Rock . . . . .	10
Operational Safety Information . . . . .	11-12
Charred Bonfire Logs Parts List . . . . .	13
Omega Burner Parts List . . . . .	14
Connecting Gas Line to Burner . . . . .	15
Lava Rock and Glowing Ember Installation . . . . .	16
Log Placement Instructions . . . . .	17-18
Lighting Instructions . . . . .	19
Cleaning and Servicing . . . . .	20
Pilot Flame Characteristics . . . . .	20
Burner Flame Characteristics . . . . .	20
Operation Characteristics . . . . .	21
Troubleshooting . . . . .	22
Warranty . . . . .	23

## IMPORTANT SAFETY INFORMATION

- An unvented room heater having an input rating of more than 6,000 Btu per hour shall not be installed in a bathroom.
  - An unvented room heater having an input rating of more than 10,000 Btu per hour shall not be installed in a bedroom or bathroom.
  - Never burn solid fuels in a fireplace where a gas log set is installed.
  - Due to high temperatures, the appliance should be located out of traffic and away from furniture and draperies.
  - Do not place clothing or other flammable material on or near the appliance.
  - Children and adults should be alerted to the hazards of high surface temperature, and should stay away to avoid burns or clothing ignition.
  - Young children should be carefully supervised when they are in the same room as the appliance.
  - This unit complies with ANSI Z21.11.2 Unvented Heater and it also complies with ANSI Z21.60 Decorative Vented Appliances for Solid Fuel Burning Fireplaces. State or local codes may only allow operation of this appliance in a vented configuration. Check your state or local codes.
  - Correct installation of logs, proper location of the heater, and annual cleaning are necessary to avoid potential problems with sooting. Sooting, resulting from improper installation or operation, can settle on surfaces outside the fireplace.
  - Avoid any drafts that could alter burner flame patterns. Do not allow fans to blow directly into the fireplace. Do not place a blower inside burn box area of firebox. Ceiling fans may create drafts that alter burner flame patterns. Sooting and improper burning will occur as a result of drafts.
  - **WARNING:** Do not allow fans to blow directly into the fireplace. Avoid any drafts that alter burner flame patterns.
  - **WARNING:** Do not use a blower insert, heat exchanger insert or other accessory not approved for use with this heater.
  - Periodic examination and cleaning of the venting system of the solid-fuel burning fireplace is required by a qualified agency.
  - The installation must conform with local codes or, in the absence of local codes, with the National Fuel Gas Code, ANSI Z223.1/NFPA54.
- **NOTE:** Installation and repair should be done by a qualified service person. The appliance should be inspected before use and at least annually by a qualified service person. More frequent cleaning may be required due to excessive lint from carpeting, bedding material, etc. It is imperative that the control compartment, burners, and circulating air passageways of the appliance be kept clean.
  - Any safety screen or guard removed for servicing an appliance must be replaced prior to operating the appliance. Provide adequate combustion and ventilation air.
  - The flow of combustion and ventilation air **MUST NOT** be obstructed.
  - Provide adequate clearances around air openings into the combustion chamber and adequate accessibility clearance for servicing and proper operation. **NEVER** obstruct the front opening of the appliance.
  - An unvented room heater intended for installation in a solid-fuel burning fireplace shall comply with the following instructions:
    - A fireplace screen must be in place when the appliance is operating and, unless other provisions for combustion air are provided, the screen shall have an opening(s) for introduction of combustion air.
    - Solid-fuels shall not be burned in a masonry or UL 127 factory-built fireplace in which an unvented room heater is installed.
    - Any glass doors shall be fully opened when the appliance is in operation.
    - Any outside air ducts and/or ash dumps in the fireplace shall be permanently closed at time of appliance installation.
    - **WARNING:** Failure to keep the primary air opening(s) of the burner(s) clean may result in sooting and property damage.
    - **WARNING:** Before installing in a solid-fuel burning fireplace, the chimney flue and firebox must be cleaned of soot, creosote, ashes, and loose paint by a qualified chimney cleaner.

### WARNING

When used without adequate combustion and ventilation air, heater may give off CARBON MONOXIDE, an odorless, poisonous gas.

Do not install heater until all necessary provisions are made for combustion and ventilation air. Consult the written instructions provided with the heater for information concerning combustion and ventilation air. In the absence of instructions, refer to the National Fuel Gas Code, ANSI Z223.1, Section 5.3 or applicable local codes.

This heater is equipped with a PILOT LIGHT SAFETY SYSTEM designed to turn off the heater if not enough fresh air is available.

**DO NOT TAMPER WITH PILOT LIGHT SAFETY SYSTEM!**

If heater shuts off, do not re-light until you provide fresh air. If heater keeps shutting off, have it serviced. Keep burner and control compartment clean.

### CARBON MONOXIDE POISONING MAY LEAD TO DEATH.

Early signs of carbon monoxide poisoning resemble the flu, with headache, dizziness and/or nausea. If you have these signs, heater may not be working properly. Get fresh air at once! Have heater serviced.

Some people – pregnant women, persons with heart or lung disease, anemia, those under the influence of alcohol, those at high altitudes – are more affected by carbon monoxide than others.

The pilot light safety system senses the depletion of oxygen at its location. If this heater is installed in a structure having a high vertical dimension, the possibility exists that the oxygen supply at the high levels will be less than that at the heater. In this type of application, a fan to circulate the structure air will minimize this effect. The use of this fan will also improve the comfort level in the structure. When a fan is used to circulate air, it should be located so that the air flow is not directed at the burner.

## CAUTION

### NOTE! CARBON MONOXIDE POISONING MAY LEAD TO DEATH

Early signs of carbon monoxide poisoning resemble the flu, with headache, dizziness and/or nausea. If you have these signs, the heater may not be working properly. Get fresh air at once! Have heater serviced. Some people – pregnant women, persons with heart or lung disease, anemia, those under the influence of alcohol, those at high altitudes – are more affected by carbon monoxide than others.

**WARNING:** ANY CHANGES TO THIS HEATER OR ITS CONTROLS CAN BE DANGEROUS AND CAN VOID WARRANTY.

Children and adults should be alerted to the hazards of high surface temperature and should stay away to avoid burns or clothing ignition. Young children should be carefully supervised when they are in the same room as the appliance.

NOTE: Installation and repair should be done by a qualified service person well trained in the installation of such appliances. You may need a building permit from your local Building Commissioner before installing this appliance.

Any safety screen or guard removed for servicing an appliance must be replaced prior to operating the heater. Do not burn with glass doors in a closed position.

**WARNING:** This appliance is for installation only in a solid fuel burning masonry or UL 127 factory built fireplace or in a listed ventless firebox enclosure. It has been design certified for these installations. Exception: DO NOT install this appliance in a factory built fireplace that includes instructions stating it has not been tested or should not be used with unvented gas logs.

## ACCESSORIES

SKY-1001 ON/OFF  
REMOTE CONTROL

SKY-3003 ON/OFF THERMOSTAT/TIMER  
REMOTE CONTROL

## PRODUCT SPECIFICATIONS

Model	Gas Type	Max. BTU Input/Hr.	Min. BTU Input/Hr.	Gas Inlet Pressure Max.	Gas Inlet Pressure Min.
OMEGA 18NM	Natural	32,500	26,000	10.5" W.C.	5.0" W.C.
OMEGA 18LM	Propane	32,500	26,000	13.0" W.C.	11.0" W.C.
OMEGA 24/30NM	Natural	40,000	34,000	10.5" W.C.	5.0" W.C.
OMEGA 24/30LM	Propane	40,000	38,000	13.0" W.C.	11.0" W.C.

## GENERAL INFORMATION

This is an unvented gas-fired heater. It uses air (oxygen) from the room in which it is installed. Provisions for adequate combustion and ventilation air must be provided.

Keep room area clear and free from combustible materials, gasoline, and other flammable vapors and liquids.

Unvented gas heaters are a supplemental zone heater. They are not intended to be a primary heating appliance. Water vapor produced by an unvented heater can create moisture problems in a home when operated for extended periods of time.

During manufacturing, fabricating and shipping, various components of this appliance are treated with certain oils, films, or bonding agents. These chemicals are not harmful but may produce annoying smoke and smells as they are burned off during the initial operation of the appliance, possibly causing headaches or eye or lung irritation. This is a normal and temporary occurrence.

The initial break-in operation should last 2-3 hours with the burner at the highest setting. Provide maximum ventilation by opening windows or doors to allow odors to dissipate. Any odors remaining after this initial break-in period will be slight and will disappear with continued use.

This appliance must not be used with glass doors in the closed position. This can lead to pilot outages and severe sooting outside the fireplace.

Do not use this room heater if any part has been under water. Immediately call a qualified service technician to inspect the room heater, and replace any part of the control system and any gas control which has been under water.

**WARNING:** This appliance is equipped for (natural or propane) gas. Field conversion is not permitted.

### Qualified Installing Agency

Installation and replacement of gas piping, gas utilization equipment or accessories, and repair and servicing of equipment shall be performed only by a qualified agency. The term "qualified agency" means any individual, firm, corporation, or company that either in person or through a representative is engaged in and is responsible for (a) the installation, testing, or replacement of gas piping or (b) the connection, installation, testing, repair, or servicing of equipment; that is experienced in such work; that is familiar with all precautions required, and that has complied with all the requirements of the authority having jurisdiction.

State of Massachusetts: The installation must be made by a licensed plumber or gas fitter in the Commonwealth of Massachusetts.

Sellers of unvented propane or natural gas-fired supplemental room heaters shall provide to each purchaser a copy of 527 CMR-30 upon sale of the unit.

The installation must conform with local codes or, in the absence of local codes, with the National Fuel Gas Code ANSI Z223.1\*.

\*Available from the American National Standards Institute, Inc. 11 West 42nd St., New York, N.Y. 10018.

High Altitudes: Installations at altitudes of 2,000 feet above sea level or greater may require modifications to the gas log burner assembly. Call factory for more information.

## WATER VAPOR: A BY-PRODUCT OF UNVENTED ROOM HEATERS

Water vapor is a by-product of gas combustion. An unvented room heater produces approximately one (1) ounce (30ml) of water for every 1,000 BTU's (.3KW's) of gas input per hour.

Unvented room heaters must be used as supplemental heat (a room) rather than a primary heat source (an entire house). In most supplemental heat applications, the water vapor does not create a problem. In most applications, the water vapor enhances the low humidity atmosphere experienced during cold weather.

The following steps will help insure that water vapor does not become a problem.

1. Be sure the heater is sized properly for the application, including ample combustion air and circulation air.
2. If high humidity is experienced, a dehumidifier may be used to help lower the water vapor content of the air.
3. Do not use an unvented room heater as the primary heat source (an entire house).

# PROVISIONS FOR ADEQUATE COMBUSTION & VENTILATION AIR

This heater shall not be installed in a confined space unless provisions are provided for adequate combustion and ventilation air.

The National Fuel Gas Code defines a confined space as a space whose volume is less than 50 cubic feet per 1,000 Btu per hour (4.8m<sup>3</sup> per kw) of the aggregate input rating of all appliances installed in that space, and an unconfined space as a space whose volume is not less than 50 cubic feet per 1,000 Btu per hour (4.8m<sup>3</sup> per kw) of the aggregate input rating of all appliances installed in that space. Rooms communicating directly with the space in which the appliances are installed, through openings not furnished with doors, are considered a part of the unconfined space.

## Unusually Tight Construction

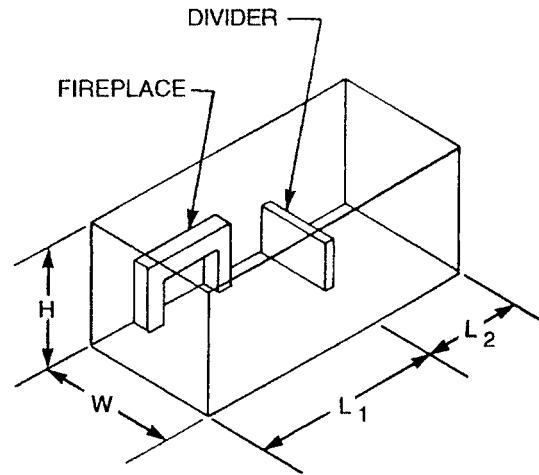
The air that leaks around doors and windows may provide enough fresh air for combustion and ventilation. However, in buildings of unusually tight construction, you must provide additional fresh air.

Unusually tight construction is defined as construction where:

- Walls and ceilings exposed to the outside atmosphere have a continuous water vapor retarder with a rating of one perm or less with openings gasketed or sealed, and
- Weatherstripping has been added on openable windows and doors, and
- Caulking or sealants are applied to areas such as joints around window and door frames, between sole plates and floors, between wall-ceiling joints, between wall panels, at penetrations for plumbing, electrical, and gas lines, and at other openings.

If your home meets all of the three criteria above, you must provide additional fresh air.

**WARNING:** If the area in which the heater may be operated is smaller than that defined as an unconfined space, or if the building is of unusually tight construction, provide adequate combustion and ventilation air by one of the methods described in the National Fuel Gas Code, ANSI Z223.1, Section 5.3. or applicable local codes.



The following formula can be used to determine the maximum heater rating per the definition of unconfined space:

$$\text{Btu/HR} = \frac{(L_1 + L_2)\text{FT} \times (W)\text{FT} \times (H)\text{FT}}{50} \times 1000$$

If the area in which the heater may be operated is smaller than the defined as an unconfined space, provide adequate combustion and ventilation air by one of the methods described in the National Fuel Gas Code, ANSI Z223.1, Section 5.3.

Adhere to all codes or in the absence, the latest edition of THE NATIONAL FUEL GAS CODE ANSI Z223.1 or NFPA54 which can be obtained from:

American National Standards Institute National Fire Protection Association, Inc.  
 11 West 42nd St. Battery March Park  
 New York, NY 10018 Quincy, MA 02269

# CLEARANCES

## Minimum Dimensions For Solid Fuel Burning Fireplaces UL127 Factory Built Fireplaces

MINIMUM FIREPLACE DIMENSIONS				
MODEL	FRONT WIDTH	BACK WIDTH	DEPTH	HEIGHT
18"	26"	22"	14"	20"
24"	32"	25"	14"	20"
30"	38"	25"	14"	20"

### Glass Doors

Make sure that glass doors are open during all operations of the logset. The opening of the glass door frame should be the dimension used for the minimum front opening of the firebox.

The dimensions shown and defined in the fireplace manufacturer's instructions are minimum clearances to maintain in installing this heater. Left and right clearances are determined when facing the front of the heater.

# CLEARANCES (continued)

## Sidewall & Ceiling Clearances (Figure 7-1)

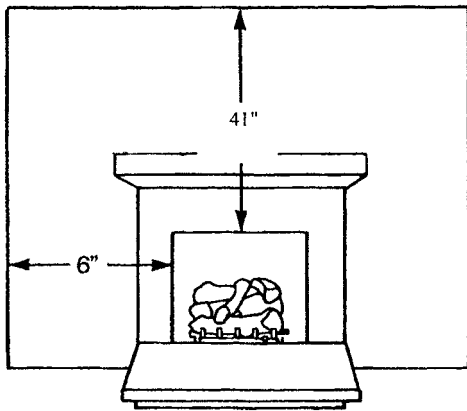


FIGURE 7-1

The sides of the fireplace opening must be 6" from any combustible wall. The ceiling must be at least 41" from the fireplace opening.

## Mantel Clearances Without Hood (Figure 7-2)

You must have non-combustible materials above the fireplace opening. Non-combustible material must extend at least 12" above fireplace opening. With sheet metal, you must have non-combustible material behind it.

Heat resistant materials such as slate and marble must be at least 1/2" thick. Sheet metal should not be installed onto combustible material.

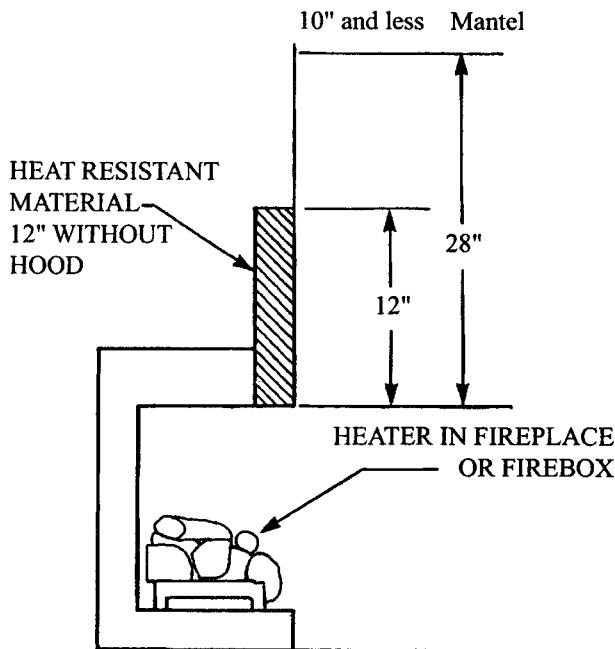


FIGURE 7-2

If your installation does not meet the above clearances, you must proceed to one of the following steps:

- Use a hood
- Operate the heater with flue damper open.
- Raise the mantel to the proper height.
- Remove the mantel.

## Mantel Clearances With Hood (Figure 7-3)

Non-Combustible Material Distance	Requirements For Safe Installation
12" or more	Non-combustible material
Less than 12"	Non-combustible material must be extended to at least 8" with the installation of the optional fireplace hood. If you cannot extend non-combustible material at least 8", you must operate heater with flue damper open.

You must have non-combustible materials above the fireplace opening. Non-combustible material must extend at least 8" above fireplace opening. With sheet metal, you must have non-combustible material behind it.

Heat resistant materials such as slate and marble must be at least 1/2" thick. Sheet metal should not be installed onto combustible material.

Example: A mantel may project from the wall a maximum of 2" at a minimum of 13-1/2" above the opening, and a maximum of 6" at a minimum of 15" above the opening.

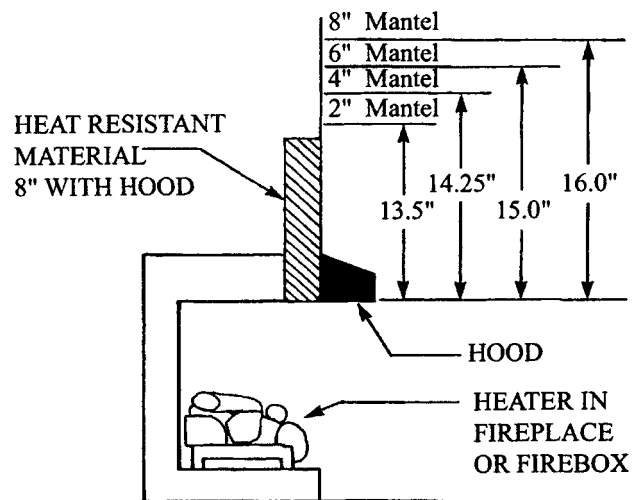


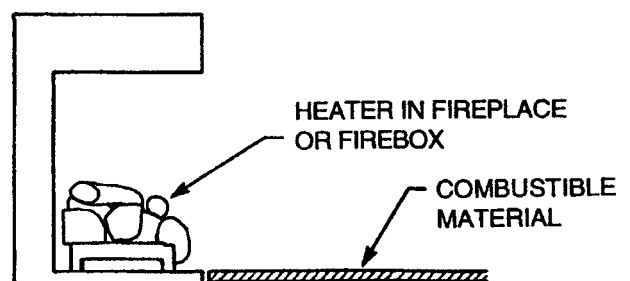
FIGURE 7-3

If your installation does not meet the above minimum clearances, you must proceed to one of the following steps:

- Operate the heater with the flue damper open.
- Raise the mantel to the proper height.
- Remove the mantel.

## Floor Clearance (Figure 7-4)

If installing heater at floor level, the minimum distance to combustibles is "0" inches.



## COMBUSTIBLE MATERIAL

Do not attach combustible material to the mantel of your fireplace. This is a fire hazard.

No greeting card, stockings, or ornamentation of any type should be placed on or attached to the fireplace. This is a heating appliance. The flow of heat can ignite combustibles.

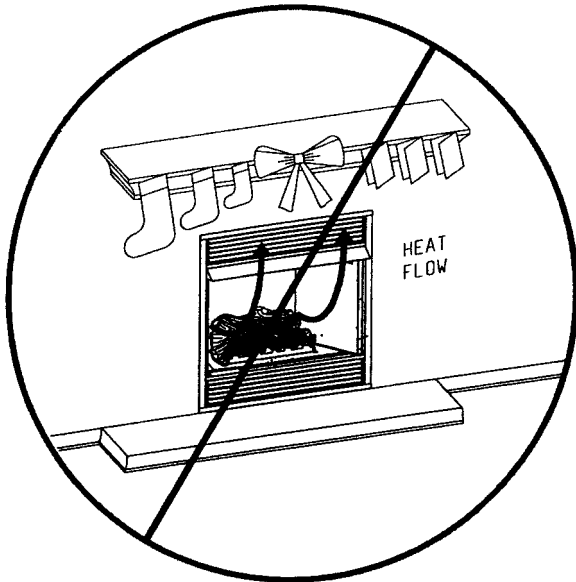


FIGURE 8-1

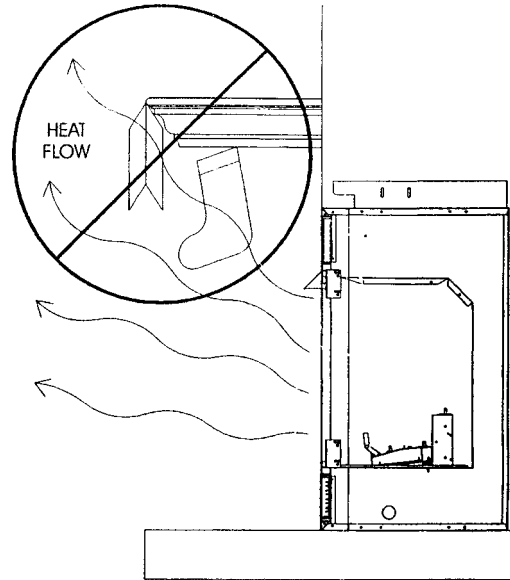


FIGURE 8-2

## FIREPLACE PREPARATION

- Turn off gas supply to fireplace or firebox.
- Have the fireplace floor and chimney professionally cleaned to remove ashes, soot, creosote or other obstructions. Have this cleaning performed annually after installation.
- Seal any fresh air vents or ash clean-out doors located on floor or wall of fireplace. If not, drafting may cause pilot light outage or sooting. Use a heat-resistant sealant. Do not seal chimney flue damper.
- Install and operate the appliance as directed in this manual.

## INSTALLING AS A VENTED APPLIANCE

### Notice (Damper Clamp Installation)

When installing your log set as a vented installation, the damper clamp must be used.

When installing your log set as a vent-free installation the damper clamp can be used to eliminate the potential for odors when burning the logs for the first time.

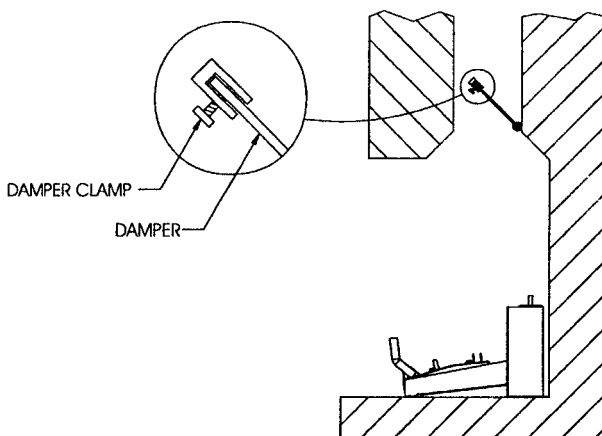


FIGURE 8-3

### Installing Damper Clamp (Figure 8-3)

Remove all ashes or other debris from the fireplace. If the fireplace is equipped with an ash dump, be sure to seal the door with furnace cement or high temperature silicone. Be sure to check the damper for proper operation and verify that the flue passageway is open.

Place the clamp over the lip of the damper and tighten the hold down bolt until the clamp is securely attached to the damper. This will prevent the damper from accidentally closing.

Millivolt controlled gas logs may be installed as a vented decorative log set in compliance with ANSI Z21.60 and National Fuel Gas Code. When the gas logs are operated with the damper open, non-combustible material and minimum mantel requirements do not apply.



## PRE-INSTALLATION AND FIREPLACE PREPARATION SAFETY

**CAUTION:** Installation and repair must be done by a qualified professional installer.

**INSTALLER:** Carefully read these instructions before installing this gas burner system. Be sure you understand all safety precautions and warnings contained in this manual.

### PRE-INSTALLATION AND FIREPLACE PREPARATION GUIDELINES:

- This appliance is only for use with the type of gas indicated on the rating plate. This appliance is **NOT CONVERTIBLE** for use with other gasses.
- **CAUTION: If not installed, serviced, and used correctly per these instructions, this product can cause serious personal injury, property damage, or loss of life.**
- **WARNING:** Before installing in a solid-fuel-burning fireplace, the chimney flue, damper, and firebox must be thoroughly CLEANED of soot, creosote, ashes, and loose paint by a qualified chimney cleaner. Some fireplaces (especially older ones) may need repair prior to installing this appliance.
- CHECK GAS TYPE (Natural or L.P.) The gas supply must be the same as stated on your burner system rating plate. If gas supply is different, **DO NOT INSTALL.** Contact your dealer for immediate assistance.
- Any outside air ducts and/or ash dumps located on the floor or walls of the fireplace must be permanently sealed shut before the installation. Use a heat-resistant sealant. Do not seal the chimney flue damper.
- INSUFFICIENT GAS PRESSURE WILL KEEP THE ODS (OXYGEN DEPLETION SENSOR) PILOT FROM OPERATING PROPERLY. DO NOT USE IF GAS PRESSURE IS LOWER THAN THE MINIMUM REQUIREMENT.
- The *minimum* inlet gas-supply pressure for purposes of input adjustment is 5" water column (w.c.) on **natural gas** and 11" w.c. on **L.P. gas**. Insufficient gas pressure will affect proper operation of the ODS pilot. Do not install this gas appliance if the minimum pressure is not available. The *maximum* inlet gas-supply pressure is 10.5 w.c. on natural gas and 13" w.c. on L.P. gas. The L.P. source must be regulated. **(Do not connect this appliance directly to an unregulated L.P. gas tank - this can cause an explosion.) Do not connect this appliance to a portable L.P. gas cylinder.**
- **The gas piping system must be sized to provide minimum inlet pressure at the maximum flow rate (BTU/hr).** Undue pressure loss will occur if the pipe is too small, or the run is too long. Gas supply pipe must be 1/2" minimum interior diameter. If the gas line is longer than 20', a larger diameter line may be necessary. Refer to the NFPA 54 guidelines for further details.
- The minimum clearance from the fireplace opening to combustible materials on side walls and ceiling must be maintained as outlined in MINIMUM CLEARANCE TO COMBUSTIBLES - WALLS AND CEILING.
- At least 10"-12" of noncombustible or heat-resistant material is required above the fireplace. A fireplace hood will be required to act as a heat deflector in protecting combustible fireplace surrounds (facing and/or mantel) if certain minimum clearances cannot be met.
- Be certain that combustible flooring material (i.e., carpet, tile, etc.) is not too close to this gas appliance. If this appliance is at floor level or less than 6" above the floor, there must be at least 12" of noncombustible material between the base of the fireplace and any combustible flooring.
- Input ratings shown in BTU per hour are for elevations up to 2,000 ft. For elevations above 2,000 ft., refer to the National Fuel Gas Code.
- This gas appliance and its main gas valve must be disconnected from the gas-supply piping system during any pressure testing of that system at test pressures in excess of 1/2 psig.
- This gas appliance must be isolated from the gas-supply piping system by closing the equipment shutoff valve connected to the gas-supply line during any pressure testing of the gas-supply piping system at test pressures equal to or less than 1/2 psig.
- Do not use this appliance if any part has been underwater. Immediately call a qualified professional service technician to inspect the appliance and to replace any part of the control system and any gas control that has been underwater.

### **WARNING**

**THIS APPLIANCE IS EQUIPPED FOR EITHER NATURAL OR PROPANE GAS.  
FIELD CONVERSION IS NOT PERMITTED.**

## INSTALLATION SAFETY INFORMATION

### INSTALLATION SAFETY GUIDELINES:

- Carefully inspect the burner and log cartons for shipping damage. If any parts are missing or damaged, call your dealer. **Do not attempt** to install the appliance unless all parts are in good condition.
- Correct installation of the glass or the ceramic refractory log set and proper placement and installation of the burner assembly, including ember placement and Lava Rock placement, are imperative to safe operation of your set. Problems **WILL** occur if all items are not properly installed. Reference the INSTALLATION section, LOG PLACEMENT.
- When installing in a wood-burning fireplace, **center the appliance in the fireplace** while making certain that no part of the assembly protrudes (forward) beyond the face of the fireplace. **DO NOT PUSH THE UNIT ALL THE WAY TO THE BACK.**
- If you use Lava Rock or glass for decorative use, do not allow these accessories into or onto any part of the burner or on the logs. Lava Rock or glass or gems used to accessorize the vent-free burner, should only be placed on the floor of the fireplace, in front of and to the sides of the burner, but away from the controls.
- **DO NOT PLACE** logs or other accessories, such as wood chips, pine cones, or vermiculite, on this appliance. These items will cause improper burning, sooting, and/or high levels of carbon monoxide. Additional logs and/or accessories may be placed around the burner system, as long as they do not interfere with the burning of your gas appliance.
- **Due to high temperatures, this appliance should be located out of traffic and away from furniture/draperies.**
- A fireplace screen must be in place when this gas appliance is in operation. Unless other provisions for combustion air are provided, the screen shall have an opening(s) for introduction of combustion air.
- Connecting directly to an unregulated L.P. tank can cause an explosion.
- Special care is required if you are installing this unit into a **SUNKEN FIREPLACE**. You must raise the fireplace floor to allow access to gas controls. This will ensure adequate airflow and guard against sooting. Raise the fireplace floor using noncombustible materials.
- This product cannot be used in a bedroom.

## OPERATIONAL SAFETY INFORMATION

### OPERATING YOUR UNVENTED GAS APPLIANCE SAFETY AND CORRECTLY:

- **SOLID FUEL MUST NOT BE BURNED** in a fireplace where this vent-free gas appliance is installed.
- **GLASS DOORS MUST BE FULLY OPEN** when this vent-free gas appliance is operating. This appliance **MUST NOT BE ON** if glass doors are closed, as it can lead to sooting, burner outages, and possibly explosion, causing damage or injury.
- **WARNING: DO NOT ALLOW DRAFTS INTO OR AROUND THE FIREPLACE. CLOSE (SHUT) HEATING AND AIR CONDITIONING VENTS, RETURNS, AND OUTSIDE AIR VENTS. DO NOT OPERATE FANS (WINDOW FANS, CEILING FANS, FLOOR FANS), WHICH MAY ALTER FLAME PATTERNS.** Sooting, excess carbon monoxide, or ODS pilot outages may occur due to drafts.
- **WARNING: DO NOT USE A BURNER INSERT, HEAT EXCHANGER INSERT,** or any other accessory that is not specifically certified for use with this vent-free gas appliance.
- Make sure there is adequate combustion and ventilation air when this gas appliance is operating. You may need to crack the damper or open a window slightly.
- **THIS APPLIANCE MUST BE MAINTAINED IN A WELL-CLEANED CONDITION AT ALL TIMES. REGULAR (AT LEAST ONCE PER YEAR) CLEANING OF THE BURNER AND ODS PILOT IS REQUIRED BY A QUALIFIED PROFESSIONAL SERVICE TECHNICIAN.**
- To light this appliance, it may be necessary to purge the unit for longer than one minute after long periods of non-use.
- If you operate this vent-free gas appliance fueled by L.P., operating characteristics may vary as the fuel in the tank approaches empty (less than 1/4 full). Sooting and other increases in combustion by-products will occur. Turn off the appliance, refill the L.P. tank, and have the burners cleaned.
- During manufacturing, various parts of this unit are treated with oils or paints. Though not harmful, they may produce annoying smoke and smells as they are burned off during initial operation. This is a normal occurrence. Initial break-in period should last four to six hours; maximum ventilation should be provided by opening windows, doors or chimney flue.
- Keep the area around your gas appliance clear of combustible materials, gasoline, and any other flammable vapors/liquids. Provide adequate clearance for servicing and operation. Be especially cautious if this gas appliance is installed in a basement or converted garage.
- Do not place clothing or any flammable material on or near your vent-free gas appliance. Matches, paper, garbage, or any other material must not be thrown on top of the logs, burner, or into the flame.
- **Young children should be carefully supervised when in the same room with this appliance.**
- Children and adults should be alerted to the hazard of high surface temperatures and should stay away to avoid burns or clothing ignition.

## OPERATIONAL SAFETY INFORMATION (Cont.)

### OPERATING YOUR UNVENTED GAS APPLIANCE SAFETY AND CORRECTLY:

- **This appliance is intended for supplemental heating, and is not to be used as a primary heating source.** Water vapor produced by vent-free burner systems can create moisture problems in a home when operated for extended periods of time. If condensation begins to occur, open your damper or a win

As a supplemental zone heater, this set should not be used more than six continuous hours per day or more than 40 hours per week. More frequent use indicates that this unit is being used as a primary heat source. The higher presence of carbon monoxide generated by this amount of use can be considered unsafe.

- If the gas quality is poor or pressure low, your ODS pilot may not stay lit, the burners may produce soot, or the unit may backfire. Contact your local gas supplier immediately.
- This appliance is designed for adults to be present while in operation. Do not leave this unit burning when unattended or while sleeping. **This is an attended appliance.**
- **WARNING:** Failure to keep the primary air opening(s) of the burner(s) clean may result in sooting and property damage.
- **WARNING: All previously applied loose material, such as embers, must be removed prior to reapplication. All replacement loose material must be purchased from the original appliance manufacturer.**
- Unusually tight construction is defined as:
  - a. Walls and ceilings exposed to the outside atmosphere have a continuous water vapor retarder with a rating of 1 perm ( $6 \times 10^{11}$  kg per pa-sec- $m^2$ ) or less with openings that are sealed or use gaskets;
  - b. Weather stripping has been added on openable windows and doors;
  - c. Caulking or sealants are applied to areas such as joints around window and door frames; between sole plates and floors; between wall-ceiling joints; between wall panels; at penetrations for plumbing, electrical, and gas lines; and at other openings.

## CLEANING AND SERVICING IMPORTANT INFORMATION

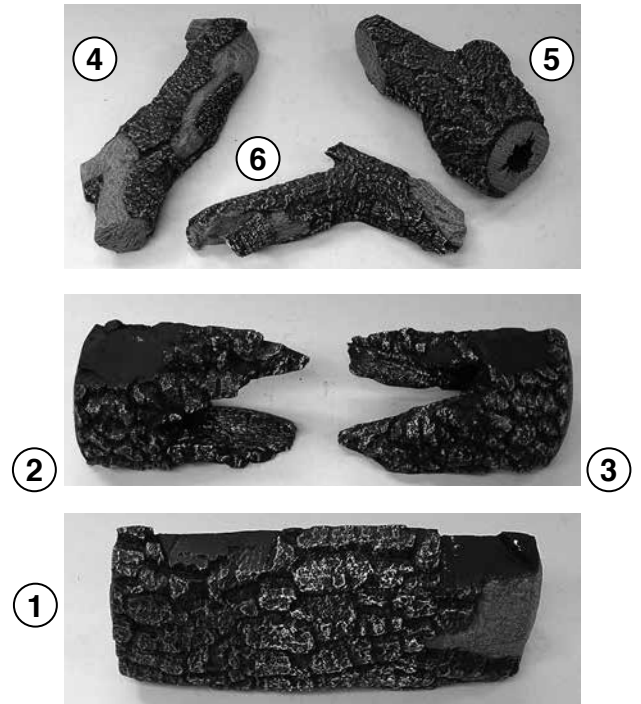
**It is imperative that you maintain your unvented gas appliance by having it cleaned and serviced regularly. A qualified professional service technician shall inspect and service this unit at least annually. (Read and follow the CLEANING AND SERVICING sections for details.)**

**Failure to provide reasonable and necessary maintenance as outlined in the owner's manual will cause your appliance to malfunction and will void your warranty.**

# CHARRED BONFIRE LOGS - PARTS LIST

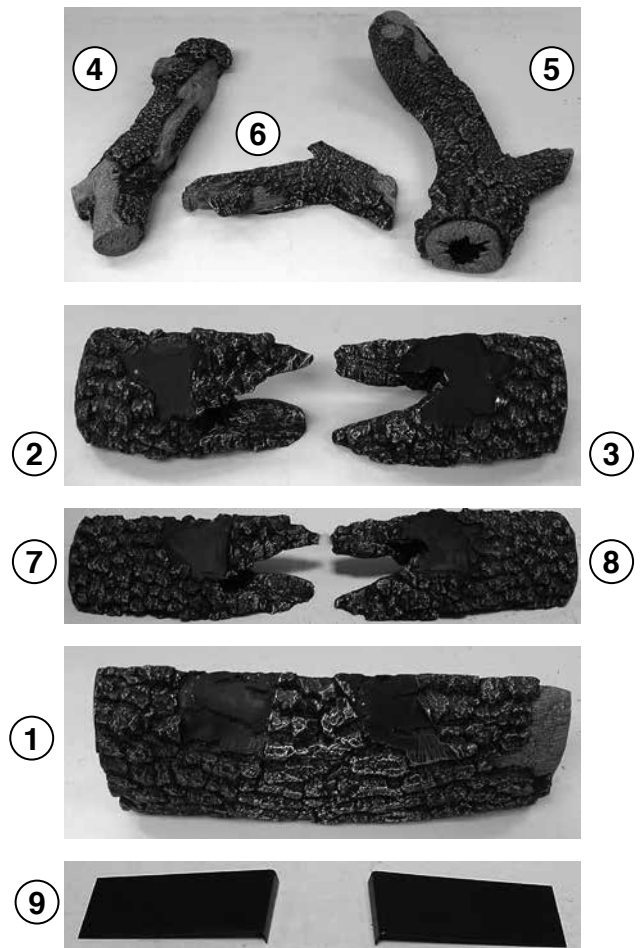
## CBF18VF VENT FREE LOGS

<u>ITEM NO.</u>	<u>DESCRIPTION</u>
1	Bottom Back Log
2	Left Front Log
3	Right Front Log
4	Left Wing Log
5	Right Wing Log
6	Front Center Log

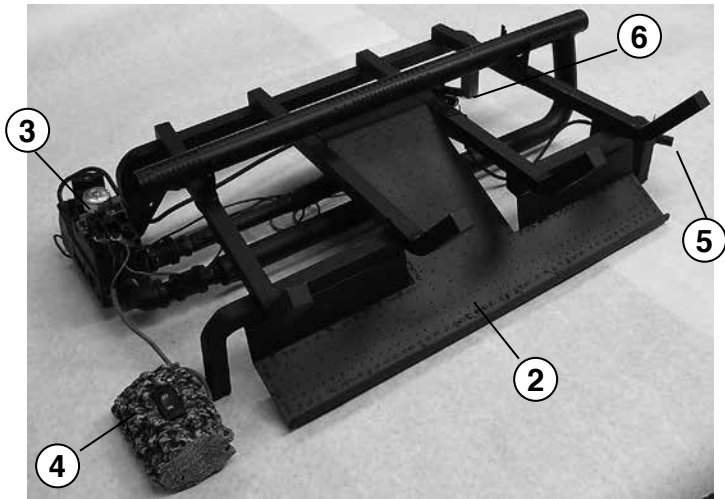
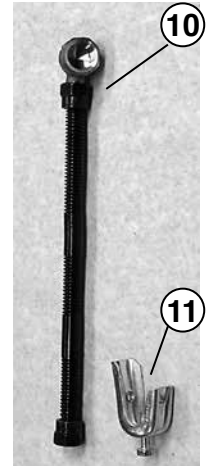
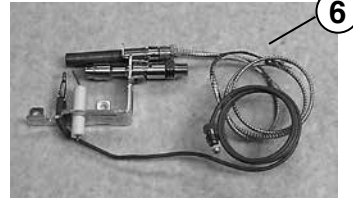
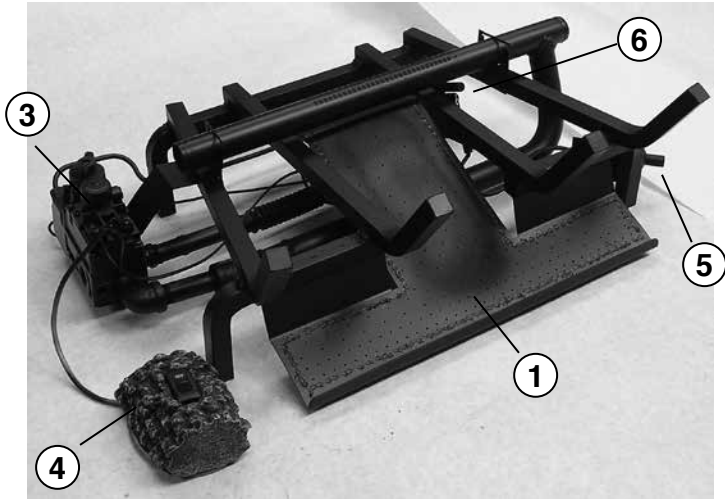


## CBF24/30 VENT FREE LOGS

<u>ITEM NO.</u>	<u>DESCRIPTION</u>
1	Bottom Back Log
2	Left Front Log (24")
3	Right Front Log (24")
4	Left Wing Log
5	Right Wing Log
6	Front Center Log
7	Left Front Log (30")
8	Right Front Log (30")
9	Front Log Extension Supports (30")



# OMEGA BURNER PARTS LIST



## OPTIONAL REMOTE CONTROLS



**SKY-1001**  
On/off remote control (includes 4 "AA" Batteries)



**SKY-3003**  
On/off thermostat/timer remote control (includes 4 "AA" & 4 "AAA" batteries).

ITEM NO.	DESCRIPTION	ITEM NO.	DESCRIPTION
1.	Omega 18 Burner Assembly	7.	Lava Rock
2.	Omega 24/30 Burner Assembly	8.	Platinum Brite Embers
3.	Control Valve (Specify Gas Type)	9.	Glowing Embers
4.	On/Off Bark Switch	10.	Gas Connector
5.	Push Button Ignitor	11.	Damper Clamp
6.	ODS Pilot Assembly (specify gas type)		

## INSTALLATION - CONNECTING THE GAS TO THE BURNER SYSTEM

**BEFORE PROCEEDING, CAREFULLY READ ALL OF THE IMPORTANT SAFETY INFORMATION CONTAINED IN THIS OWNER'S MANUAL, INCLUDING:**

- A. Pre-installation and Fireplace Preparation Safety Guidelines**
- B. Ventilation and Confined Space Information**
- C. Installation Safety Guidelines**

### **WARNING**

Do not connect this appliance directly to a high pressure natural gas line or an unregulated L.P. tank. **CHECK GAS TYPE** (Natural or L.P.). The gas supply must be the same as stated on the gas log set rating plate. **If the gas supply is different, DO NOT INSTALL.** Contact the dealer for immediate assistance.

**Refer to the PARTS LIST when installing the vent-free gas log set.**

- 1. MAKE SURE THE FIREPLACE GAS SUPPLY IS TURNED OFF.**
2. Center the burner assembly in the fireplace. Make certain that no part of the assembly protrudes beyond the face of the fireplace.
3. Attach 1/2" x 3/8" elbow fitting to the fireplace gas supply line using pipe compound resistant to L.P. gas or Teflon tape. Tighten the connection. Connect one end of flex connector to the elbow fitting, and the other end of the connector to the valve assembly.
4. Make sure that the control valve on the burner system is in the **OFF** position. Turn on the gas to the fireplace and check for leaks at all connections.

### **LEAK TESTING**

Make sure that the control valve on the burner system is in the **OFF** position. Carefully turn on the gas to the fireplace and leak test at all connections by applying a soapy water solution (equal parts liquid detergent and water) to their surface. If bubbles appear, a leak is present. Turn off the gas and tighten all connections, then turn on the gas and repeat the leak test. Repeat until no leaks are detected.

**NEVER USE A FLAME TO CHECK FOR GAS LEAKS**

## INSTALLATION

### **IMPORTANT**

For all valves, the air **MUST** be purged from the gas line before the ODS pilot will light properly. The time taken to do this will depend on the length of gas line from the meter to the unit, and the length of time since the unit or gas line was last used (in the case of non-use during warm weather for example). It may take from 3-15 minutes before all the air is purged and the ODS pilot will light properly.

# LAVA ROCK AND GLOWING EMBER INSTALLATION

## LAVA ROCK PLACEMENT

Lava Rock is provided as an aesthetic enhancement to the Omega vent-free gas log set. Spread the lava rock on the floor of the firebox around the front and sides of the vent-free gas log set (Fig. 16-1).

**BE SURE THAT NO GRANULES ENTER THE MAIN BURNER OR INTERFERE WITH THE BURNING OF THE LOG SET.**

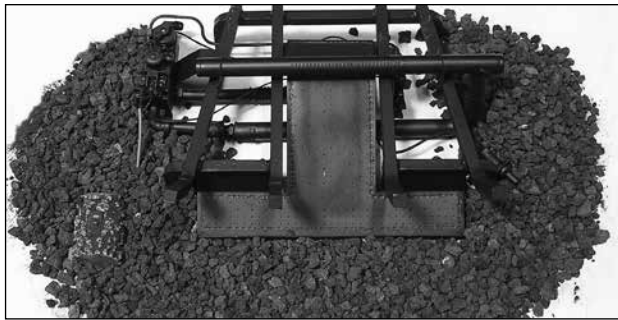


Fig. 16-1

## EMBER PLACEMENT

### GLOWING EMBER PLACEMENT

The glowing embers are supplied in the larger of the two ember bags containing the darker embers (Fig. 16-2). It is important that only the embers supplied be used and that no additional glowing embers be added. Open the bag and spread the embers loosely along the entire length of the ember burner from the left to right on the burner and on the vertical portion of the ember burner. Break up any clumps that may have developed during shipment and make sure the embers are spread evenly over the entire area.

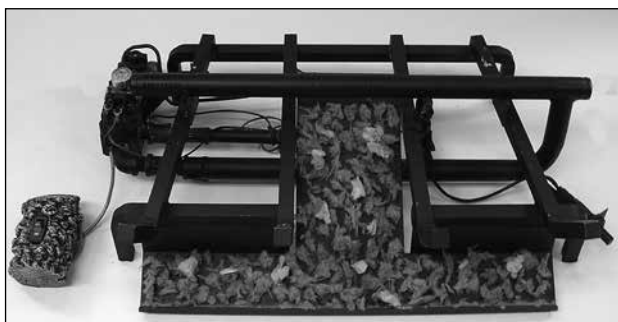


Fig. 16-2

### PLATINUM BRITE EMBER PLACEMENT

With the glowing embers spread evenly across the entire length of the ember burner, open the bag of Platinum Brite Embers (lighter colored embers), (Fig. 16-3) Evenly distribute Platinum Brite Embers on top of ember burner.

**IMPORTANT: DO NOT ADD ANY ADDITIONAL EMBERS TO THIS LOG SET. ANY ADDITIONAL GLOWING EMBERS OR PLATINUM BRITE EMBERS MAY CAUSE UNSAFE OPERATION**



Fig. 16-3

**WARNING:** Failure to position the parts in accordance with these diagrams, or failure to use only parts specifically approved with this heater, may result in property damage or personal injury.



# LOG PLACEMENT INSTRUCTIONS

**WARNING:** Failure to position these parts in accordance with these diagrams, or failure to use only parts specifically approved with this vent-free gas log set, may result in property damage or personal injury.

## CBF18 LOG PLACEMENT



**STEP 1:** Place bottom back log on rear of grate and center left to right.



**STEP 2:** Place left and right front logs on front of grate and center left to right.



Proper position of bottom logs from Step 1 and Step 2.



**STEP 3:** Position left wing log on top of bottom logs.



**STEP 4:** Position right wing log on top of bottom logs.



**STEP 5:** Position front center log as shown.

**WARNING:** Logs must be positioned as shown in diagrams.  
Flames must not touch any log surface.

# LOG PLACEMENT INSTRUCTIONS

**WARNING:** Failure to position these parts in accordance with these diagrams, or failure to use only parts specifically approved with this vent-free gas log set, may result in property damage or personal injury.

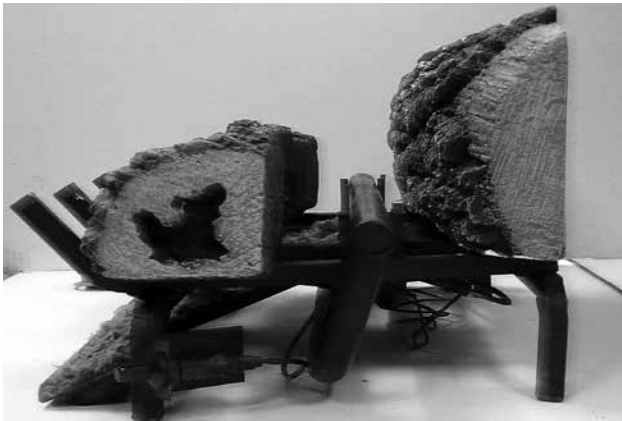
## CBF24/30 LOG PLACEMENT



**STEP 1:** Place bottom back log on rear of grate and center left to right.



**STEP 2:** Place left and right front logs on front of grate and center left to right.  
**NOTE:** 30" model requires front log extension supports supplied with 30" logs.



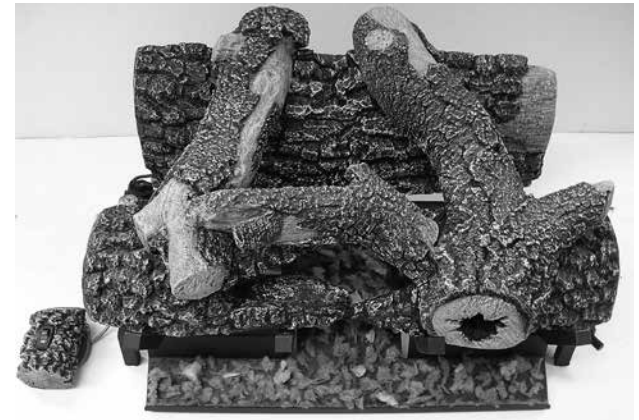
Proper position of bottom logs from Step 1 and Step 2.



**STEP 3:** Position left wing log on top of bottom logs.



**STEP 4:** Position right wing log on top of bottom logs.



**STEP 5:** Position front center log as shown.

**WARNING:** Logs must be positioned as shown in diagrams.  
Flames must not touch any log surface.

# LIGHTING INSTRUCTIONS

## FOR YOUR SAFETY, READ BEFORE LIGHTING

### **WARNING:**

If you do not follow these instructions exactly, a fire or explosion may result, causing property damage, personal injury, or loss of life.

Do not use this appliance if any part has been underwater. Immediately call for a qualified professional service technician to inspect the appliance and to replace any part of the control system and any gas control that has been underwater.

The Omega burner system has an ODS (Oxygen Depletion Sensor) pilot that can be lit by using the built in piezo ignitor switch on the burner, or by hand using a match or long necked lighter. When lighting the ODS pilot, follow these instructions exactly.

BEFORE LIGHTING, smell all around the burner area for gas. Be sure to smell next to the floor as some gas is heavier than air and will settle on the floor. IF YOU SMELL GAS, FOLLOW THE INSTRUCTIONS ON PAGE 1.

Use only your hand to push in or turn the gas control knob. Never use tools. If the knob will not push in or turn by hand, don't try and repair it. Call a qualified professional service technician. Force or attempted repair may result in fire or explosion.

### **LIGHTING THE ODS PILOT**

To read the safety valve control knob (Fig. 19-1), read the marking nearest the teardrop-shaped metal pointer.

1. If the safety valve control knob is in the **PILOT** position, push in slightly on the knob and rotate it clockwise ↷ to the **OFF** position.
2. Release knob and wait five minutes.
3. Turn safety valve knob counterclockwise ↶ to the **PILOT** position. (Only the ODS pilot gas will flow when the knob is pushed in.)
4. Push and hold the safety valve knob fully in and push in the piezo ignitor button several times until the ODS pilot lights.
5. Hold the safety valve knob in for approximately 60 seconds before releasing.
6. **If the ODS pilot does not stay lit**, turn the safety valve knob clockwise ↷ to the full **OFF** position. Wait five minutes, then repeat steps 3 through 5.

### **IGNITING THE MAIN BURNER**

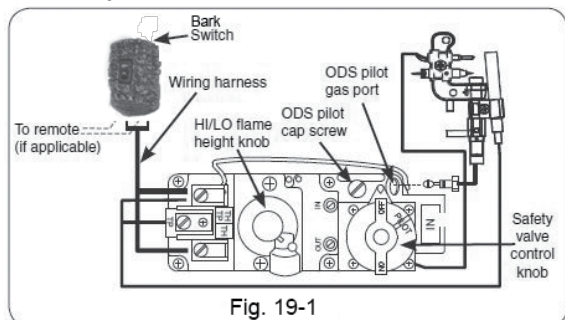
With the ODS pilot lit, turn the safety valve knob counterclockwise ↶ to the **ON** position. Flip the bark switch to the **ON** position and the burner will light.

### **SHUTTING OFF THE MAIN BURNER**

Flip the bark switch to the **OFF** position. The ODS pilot will remain lit.

### **SHUTTING OFF THE ODS PILOT**

Be sure the switch control is **OFF** and depress and turn the safety valve knob clockwise ↷ to the **OFF** position.



When shutting your burner down, be sure to **TURN THE FLAME FULLY OFF** (to **PILOT** or **OFF**). Make sure the burner is completely off for one minute before relighting.

### **ADJUSTING THE ODS PILOT**

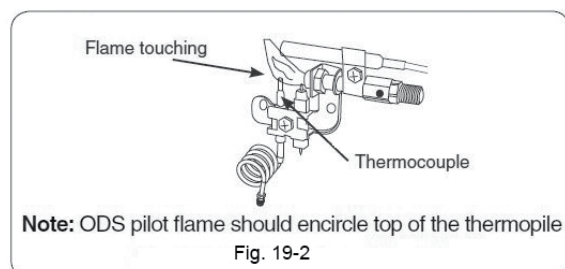
- a. The ODS pilot flame should encircle the generator tip, and is preset at the factory (Fig. 19-2). Ordinarily the ODS pilot will not require field adjustment.
- b. If adjustment is necessary, remove the cap screw (Fig. 19-1) and turn the smaller gas adjustment screw inside counterclockwise ↶ to increase the ODS pilot flame, and clockwise ↷ to decrease the ODS pilot flame. Replace the cap screw.

### **MAINTENANCE**

Your burner is equipped with a safety ODS pilot that will shut off the gas supply in case the ODS pilot is not burning or functioning properly. Make sure the ODS pilot is adjusted properly and that the generator space clips are tightly connected to the terminal screws on the valve. If the ODS pilot will not stay lit, call your local gas utility or gas supplier.

A periodic check of the following should be performed at least annually by a qualified professional service representative.

1. Valves and switch for proper operation.
2. Flue system for rust, damage, or leaks.
3. Damper operation.
4. Orifices for dirt or other foreign matter.
5. Visual check on the burner



## CLEANING AND SERVICING

Annual inspection and cleaning by your dealer or qualified service technician is recommended to prevent malfunction and/or sooting.

TURN OFF HEATER AND ALLOW TO COOL BEFORE CLEANING.

PERIODIC CLEANING - Refer to parts diagram on page 14 for location of items discussed below.

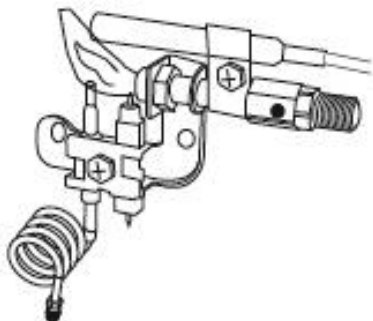
- Do not use cleaning fluid to clean logs or any part of the heater.
- Logs - Brush logs with soft bristle brush, or vacuum with brush attachment.
- Remove loose particles and dust from the burner areas, controls, piezo covers and grate.
- Inspect and clean burner air intake hole. Remove lint or particles with brush. Failure to keep air intake hole clean will result in sooting and poor combustion.

ANNUAL CLEANING/INSPECTION - Refer to parts diagram for location of items discussed below:

- Inspect and clean burner air intake hole. Remove lint or particles with vacuum or brush. Failure to keep air intake hole clean will result in sooting and poor combustion.
- Inspect and clean all burner ports.
- Inspect ODS pilot for operation and accumulation of lint at air intake holes.
- Verify flame pattern and log placement for proper operation.
- Verify smooth and responsive ignition of main burner.

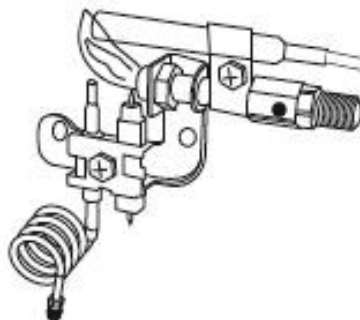
## PILOT FLAME CHARACTERISTICS

Figure 20-1 shows a correct pilot flame pattern. The correct flame will be blue and will extend beyond the thermocouple. The flame will surround the thermocouple just below the tip. A slight yellow flame may occur where the pilot flame and main burner flame meet.



Correct ODS pilot flame  
FIG. 20-1

Figure 20-2 shows an incorrect flame pattern. The incorrect pilot flame is not touching the thermocouple. This will cause the log set to shut down.



Incorrect ODS pilot flame  
FIG. 20-2

## BURNER FLAME CHARACTERISTICS

Figure 20-3 shows a correct burner flame pattern. The correct flame will be blue at the base and yellow at the tip. Flame should be vertical in shape and should not impinge decorative logs.

FIG. 20-3



## OPERATION CHARACTERISTICS

Observe the flames. The main burner flames should be blue at the base and a combination of blue and yellow at the body and at the tips. Front flames in the ember burner should be 1/4" above the embers.

All Golden Blount vent-free gas log sets have been quality checked and tested to ensure proper operation and performance. Both combustion and performance results are satisfactory, before shipping.

The installation site for any unvented appliance presents its own unique combustion environment. Specific factors such as weather-tightness of the home, size of the room in which the log set is installed, central heating, ceiling fans, altitude, drafts, pet hair, carpet lint, dryer lint, the size of the fireplace, paint or soot inside the fireplace, etc. all have an influence on the proper operation of an unvented appliance and its ODS pilot system. A normally operating unvented log set will demonstrate the following characteristics:

- A lively, realistic flame and front ember glow. The flame will be blue/yellow on the front burner and on the rear burner.
- Clean-burning combustion that will produce no soot or smoke after normal break-in.
- Production of no odor, other than normal odors associated with the combustion of propane or natural gas.
- Production of water vapor. Water vapor helps to increase indoor humidity, which may be beneficial during the dry heating season.

If you operate the unvented gas log set fueled by propane gas, operating characteristics may vary as the fuel in the tank approaches empty (less than 1/4 full). Sooting and other increases in combustion by-products will occur. Turn off the log set and refill the propane tank.

## TROUBLESHOOTING - SYMPTOMS & POSSIBLE CAUSE AND CORRECTIONS

Turn appliance OFF and allow to cool before servicing. Only a qualified service person should service and repair heater.

1. When ignitor button is pressed, there is no spark at ODS/pilot.
  - a. Ignitor electrode positioned wrong - Replace pilot.
  - b. Ignitor electrode is broken - Replace pilot.
  - c. Ignitor electrode not connected to ignitor cable - Reconnect ignitor cable.
  - d. Ignitor cable pinched or wet - Keep ignitor cable dry. Free ignitor cable if pinched by any metal or tubing.
  - e. Broken ignitor cable - Replace ignitor cable.
  - f. Bad piezo ignitor - Replace piezo ignitor.
2. Appliance produces unwanted odors.
  - a. Appliance burning vapors from paint, hair spray, glues, etc. - Ventilate room. Stop using odor causing products while heater is running.
  - b. Gas leak - Locate and correct all leaks.
3. Appliance shuts off during use. (Pilot goes out.)
  - a. Not enough fresh air is available for ODS/pilot to operate - Open window and/or door for ventilation.
  - b. Low line pressure - Contact local gas company.
  - c. ODS/pilot is partially clogged - Clean ODS/pilot.
  - d. Defective thermocouple - Replace pilot.
4. Appliance shuts off during use. (Pilot stays on.)
  - a. Low line pressure - Check line pressure to the valve.
5. Gas odor even when control knob is in OFF position.
  - a. Gas leak - Locate and correct all leaks.
  - b. Control valve defective - Replace control valve.
6. When ignitor button is pressed there is a spark at ODS/pilot, but no ignition.
  - a. Gas supply turned off or manual shutoff valve closed - Turn on gas supply or open manual shutoff valve.
  - b. Control knob not in PILOT position.
  - c. Control knob not pressed in while in PILOT position - Press in control knob while in PILOT position.
  - d. Air in gas line when installed - Continue holding down control/knob. Repeat igniting operation until air is removed.
  - e. ODS/pilot is clogged - Replace ODS/pilot assembly or get it serviced.
  - f. Gas regulator setting is not correct - Replace gas regulator.
7. ODS/pilot lights but flame goes out when control knob is released.
  - a. Control knob not fully pressed in - Press in control knob fully.
  - b. Control knob not pressed in long enough - After ODS/pilot lights, keep control knob pressed in 30 seconds.
  - c. Manual Shutoff valve not fully open - Fully open manual shutoff valve.
  - d. Thermocouple connection loose at control valve - Hand tighten until snug, then tighten 1/4 turn more.
  - e. Pilot flame not touching thermocouple, which allows thermocouple to cool, causing pilot flame to go out. This problem could be caused by either low gas pressure or dirty or partially clogged ODS/pilot - Contact local gas company.
8. Burner does not light after ODS/pilot is lit.
  - a. Burner orifice clogged - Clean burner or replace main burner orifice.
  - b. Burner orifice diameter is too small - Replace burner orifice.
  - c. Inlet gas pressure is too low - Contact qualified service program.
9. If burning at main burner orifice occurs (a loud, roaring blow torch noise.)
  - a. You must turn off burner assembly and contact a qualified service person.
  - b. Manifold pressure is too low - Contact local gas company.
  - c. Burner orifice clogged - Clean burner or replace burner orifice.
10. Logs appear to smoke after initial operation.
  - a. Vapors from paint or curing process or logs - Problem will stop after a few hours of operation. Run the logs with the damper open if you have one, or open a window for the first few hours. Log heater is intended to be smokeless. Turn OFF heater and call qualified service person.
11. Appliance produces a whistling noise when main burner is lit.
  - a. Turning control knob to HIGH position when main burner is cold - Turn control knob to LOW position and let warm up for a minute.
  - b. Air in gas line - Operate burner until air is removed from line. Have gas line checked by local gas company.
  - c. Dirty or partially clogged burner orifice - Clean burner or replace burner orifice.
12. No gas to pilot.
  - a. LP-regulator shut down due to inlet pressure too high - Verify LP tank regulator is installed and set at 11" to 13" w.c. Replace valve on heater.

### **LIMITED WARRANTY**

Golden Blount Gas Logs are warranted against defective materials and/or workmanship for as long as you own them. Burner Assembly is guaranteed for five years from date of purchase. ODS Pilot Assembly and valve are covered for one year.

This warranty does not cover parts subjected to misuse, abuse, improper handling or improper installation. The GB warranty specifically excludes any liability for indirect, incidental or consequential damage to property.

Defective logs or defective parts should be returned to your dealer or to the factory prepaid with a copy of your sales receipt. Defective parts will be repaired or replaced at the factory's option and returned to you prepaid.



**GOLDEN BLOUNT INC. - 4301 WESTGROVE DRIVE - ADDISON, TX 75001**